

Full Range of Hospital Furniture & Equipments

MedStart Essentials
Contact: 7248680001
medstartessentials@gmail.com





Item No. 1101 - MD

ELECTRIC BED

Overall Size : 2200mm x 980mm

Height adjustment : 475mm to 745mm

- Detachable ABS Panel.
- Backrest movement 80°
- Trendelenburg movement 12°
- Aluminum sleep type railing.
- All four movements operated by wired remote
- 125mm dia, 4 heavy duty wheels, 2 with break
- **Optional** : C.P.R. Facility, Nurse Control Panel and Battery Backup

Item No.1102 - AB

ICU Bed (Height Adjustment)

Overall Size : L 2200 mm x W 980 mm x H 475 mm to 745 mm

Frame : 60 mm x 30 mm ,Rectangular tube

- Four section perforated CRCA sheet top
- 4 separate screws for back rest, knee rest, trendelenburg & reverse trendelenburg & height adjustment position by screw with attached folding handles.
- Detachable ABS panels.
- ABS 4 pec. railing.
- 125 mm dia heavy duty wheels; 2 with brakes / plastic body.
- 4 flush I.V. rod locations
- Pre-treated and epoxy powder coated
- Available in : wire remote operate by electric.





Item No.1103 - M

New design Height Adjustment ICU Bed

Overall Size : L 2100 mm x W 980 mm x H 475 mm to 745 mm

Frame : 60 mm x 30 mm ,Rectangular tube

- * Four section perforated CRCA sheet top
- * 4 separate screws for back rest, knee rest, trendelenburg & reverse trendelenburg & height adjustment position by screw with folding handles.
- * S.S. bows of 32 mm dia. With metal panel Strip / Square Different colour options available
- * Sleep type railing (Available Swing type S.S. railings) buffer on all corners
- * 125 mm dia heavy duty wheels; 2 with brakes
- * 4 flush I.V. rod locations
- * Pre-treated and epoxy powder coated



Item No. 1104 - HL

New design Head Hi-Low ICU Bed

Overall Size : L 2100 mm x W 980 mm x H 560 mm

Frame : 60 mm x 30 mm ,Rectangular tube

- * Four section perforated CRCA sheet top
- * 3 separate screws for back rest, knee rest, trendelenburg & reverse trendelenburg by screw with folding handles.
- * S.S. bows of 32 mm dia. With metal panel Strip / Square Different colour options available
- * Sleep type railing (Available Swing type S.S. railings) buffer on all corners
- * 125 mm dia heavy duty wheels; 2 with brakes
- * 4 flush I.V. rod locations
- * Pre-treated and epoxy powder coated

Item No. 1201 - ABR

Full Flower Bed (ABS Panel & Railing)

Overall Size : L 2100 mm x W 980 mm x H 560 mm

Frame : 60 mm x 30 mm ,Rectangular tube

- Four section perforated CRCA sheet top
- 2 separate screws for back rest, by screw with folding handles.
- ABS Panel and ABS 4 pec railing
- 125 mm dia heavy duty wheels; 2 with brakes
- 4 flush I.V. rod locations
- Pre-treated and epoxy powder coated



Item No.1204 - SMHL

Semi Flower Bed with Hi - Low

Overall Size : L 1905 mm x W 835 mm x H 560 mm

Frame : 50 mm x 25 mm ,Rectangular tube

- Four section perforated CRCA sheet top
- 2 separate screws for back rest, trendelenburg & reverse trendelenburg by screw with folding handles.
- S.S. bows of 32 mm dia. With metal panel Strip / Square Different colour options available
- 4 flush I.V. rod locations
- Pre-treated and epoxy powder coated

Item No.1202 - AB

Full Fowler Bed (ABS Panel)

Overall Size : L 2050 mm x W 840 mm x H 560 mm

Frame : 50 mm x 25 mm ,Rectangular tube

- Perforated CRCA sheet top
- ABS Panel
- 4 flush I.V. rod locations
- Pre-treated and epoxy powder coated





Item No. 1203 - DX

Full Fowler Bed Delux

Overall Size : L 2050 mm x W 840 mm x H 560 mm
Frame : 50 mm x 25 mm ,Rectangular tube

- Perforated CRCA sheet top
- S.S. bows of 32 mm dia. With metal panel Strip / Square (different colour options available)
- 125mm dia heavy duty wheels with 2 brakes.
- Swing type S.S. railings buffer on all corners.
- 4 flush I.V. rod locations
- Pre-treated and epoxy powder coated



Item No. 1203 - B

Full Fowler Bed

Overall Size : L 2050 mm x W 840 mm x H 560 mm
Frame : 50 mm x 25 mm ,Rectangular tube

- Perforated CRCA sheet top
- S.S. bows of 32 mm dia. With metal panel Strip /Square (different colour options available.)
- 4 flush I.V. rod locations
- Pre-treated and epoxy powder coated



Item No. 1204 - ABRE

Semi Fowler Bed (ABS Panel with Remote Oprated))

Overall Size : L 1900 mm x W 840 mm x H 560 mm
Frame : 50 mm x 25 mm ,Rectangular tube

- Two section perforated CRCA sheet top.
- Wire Remote Electric operated back rest.
- ABS Panel, Two Pec ABS Railing
- 4 flush LV. rod locations.
- Pre-treated and epoxy powder coated.





Item No.1204 - AB

Semi Fowler Bed (ABS Panel)

Overall Size : L 1900 mm x W 840 mm x H 560 mm

Frame : 50 mm x 25 mm ,Rectangular tube

- *Two section perforated CRCA sheet top.
- *Crank operated back rest.
- *ABS Panel
- *4 flush I.V. rod locations.
- *Pre-treated and epoxy powder coated.

Item No. 1204 - MP

Semi Fowler Bed (Metal Panel)

Overall Size : L 1900 mm x W 840 mm x H 560 mm

Frame : 50 mm x 25 mm ,Rectangular tube

- *Two section perforated CRCA sheet top.
- *Crank operated back rest.
- *S.S. bows of 32 mm dia. With strip metal panel (Different colour options available)
- *4 flush I.V. rod locations.
- *Pre-treated and epoxy powder coated.



Item No. 1204 - CP

Semi Fowler Bed (Cross Pipe)

Overall Size : L 1900 mm x W 840 mm x H 560 mm

Frame : 50 mm x 25 mm ,Rectangular tube

- *Two section perforated CRCA sheet top.
- *Crank operated back rest.
- *S.S. bows of 32 mm dia. cross pipe
- 4 flush I.V. rod locations.
- *Pre-treated and epoxy powder coated.



Item No.1205 - CP

Manual Back Rest Bed

Overall Size : L 1900 mm x W 765 mm x H 560 mm

Frame : 50 mm x 25 mm ,Rectangular tube

- Two section perforated CRCA sheet top.
- Manually operated, 5 position back - rest on ratchet.
- S.S. bows of 32 mm dia with cross pipe.
- 4 flush I.V. rod locations.
- Pre-treated and epoxy powder coated.

Item No. 1206 - CP

Plain Hospital Bed (Delux)

Overall Size : L 1900 mm x W 765 mm x H 560 mm

Frame : 50 mm x 25 mm ,Rectangular tube

- Perforated CRCA sheet top 2 Pce.
- S.S. bows of 32 mm dia with cross pipe/simple bows.
- 4 flush I.V. rod locations
- Pre-treated and epoxy powder coated



Item No. 1206 - AT1

Attendant Bed with Locker & Matress

Overall Size : L 1830 mm x W 765 mm x H 560 mm

Frame : 50 mm x 25 mm ,Rectangular tube

- Perforated CRCA sheet top 2 Pce.
- Pre-treated and epoxy powder coated

Item No.1208 - PD

Pediatric Bed

Overall Size : L 1500 mm x W 765 mm x H 610 mm

Frame : 50 mm x 25 mm ,Rectangular tube

- Perforated CRCA sheet top
- Both side drop type powder coated railing.
- 4 flush I.V. rod locations
- Pre-treated and epoxy powder coated



Item No.1210 - BNK

Bunk Bed

Overall Size : L 1900 mm x W 765 mm

Frame : 50 mm x 25 mm ,Rectangular tube

- Double top bed frame with ladder.
- Two section perforated CRCA sheet top.
- Pre-treated and epoxy powder coated.

Item No. 1205 - Twin-P

Plain Ward Bed with Partition

Overall Size : L 1900 mm x W 765 mm x H 560 mm (Each Bed)

Frame : 50 mm x 25 mm ,Rectangular tube

- Twin Bed with Powder Coated Partition.
- Two section perforated CRCA sheet top.
- Pre-treated and epoxy powder coated.



Item No. 1213 - Host

Plain Hostel Bed with Storage

Overall Size : L 1900 mm x W 765 mm x H 560 mm (Each Bed)

Frame : 50 mm x 25 mm ,Rectangular tube

- Plain Bed with Oval Pipe Top Powder Coated.
- Under bed open storage, One Locker CRCA sheet.
- Pre-treated and epoxy powder coated.

Item No.1212 - TL

Telescopic Attendant Bed

Overall Size : L 1830 mm x W 610 mm x H 410 mm

Frame : Telescopic frame with mattress.

- Pre-treated and epoxy powder coated.



Item No.1211

Attendant Bed

Overall Size : L 1830 mm x W 610 mm x H 460 mm

Frame : 50 mm x 25 mm ,Rectangular tube

- Two section perforated CRCA sheet top.
- Pre-treated and epoxy powder coated.

Item No.1203 (O)

Full Fowler Bed (Old age)



Item No.1212 - CH

Attendant Chair cum Bed

- Pre-treated and epoxy powder coated.





Item No.1501

Fix height IV rod



Item No.1502

Telescopic IV rod



Item No.1503

Cradle with attachment



Item No.1504

File Holder



Item No.1500

IV Stand



Item No.1508

Railing Sleep Type (Alu.)



Item No.4043

Waiting Bench IMP (3 seater)



Item No.1503 - ST

Cradle with Stand



Item No.4041

Waiting Bench (Multi Colour)



Item No.4042

Waiting Bench (Eco.)



Item No.5401 - BL

Examination Couch Standard (Blue)



Item No. 5401 - BR

Examination Couch Standard (Brown)



Item No.5404 - GS

**Examination Couch (with three drawers)
Head adjustable by gas spring**



Item No. 5404 - RC - GRY

**Examination Couch (with three drawers)
Head adjustable by ratchet patti (Grey)**



Item No.5404 - RC - BL

**Examination Couch (with three drawers)
Head adjustable by ratchet patti (Blue)**



Item No.5402 - GY

Examination Couch (Gynac with trolley)





Item No.5406

**Examination Couch (with two drawers)
Three cabinet (Beach Colour)**



Item No.5402 - GY-W

Examination Couch (Gynac without trolley)



Item No.5403

Simple Examination Couch



Item No.5410

**Simple Examination Table
with Head adjustment by ratchet
Fix cushion top**



Item No.5407

**Simple Examination Table
with Head adjustment by ratchet
Powder coated top**



Item No.5408

Gynaec Examination Table (Plain)



Item No.1401

Instrument Trolley



Item No.1402

Dressing Trolley



Item No.1404

Mayo's Trolley Double Bar



Item No.1405-B

Multipurpose Trolley (B)



Item No.1406-A

Multipurpose Trolley (A)



Item No.1403

Mayo's Trolley Single Bar



Item No.1406 - ECG

ECG Trolley



Item No.1419 - R

Baby Trolley (REG)



Item No.1419

Baby Trolley with Examine Light



Item No.1421-SS

Crash Cart Trolley (full SS)



Item No.1422-PC

Emergency Drug Trolley
(Economy)



Item No.1423

Crash Cart Trolley
Powder coated Drawers



Item No.1424

Medicine Trolley-A (Powder Coated)



Item No.1420

Monitor Trolley



Item No.1424 - F

File Record Trolley



Item No.1424 - B

Medicine Trolley-B (Powder Coated)



Item No.1441

Over Bed Trolley



Item No.1442

Food Table (Fix)



Item No.1443

Food Table (Folding)



Item No.1444

Food Trolley Height Adjustment



Item No.1427

Double Bowl Trolley

Item No.1428

Kick Bucket Trolley



Item No.1429

Waste Segregation System



Item No.1413

Linen Trolley with Drawer



Item No.1414

Linen Trolley with Tray



Item No.1415

Soiled Linen Trolley



Item No. 1425

Revolving Stool 5 Leg



Item No. 1426

Revolving Stool 4 Leg (Reg.)



Item No. 1418

Surgeon Revolving Stool with Backrest



Item No. 1417-SS

Item No. 1417-PC

Multipurpose Stool



Item No. 1431-R

Ward O2 Trolley



Item No. 1431-J

Jumbo O2 Trolley



Item No. 1411

Folding Hand Stretcher



Item No. 1412

Stretcher Zholi



Item No.1301

Bedside Locker Standard



Item No.1302

Bedside Table



Item No.1303

Bedside Locker Delux



Item No.1309

Monitor Stand (Aluminum)

Powder coated Tray
with ECG cable basket



Item No.1310

Monitor Stand (Aluminum)

Multipurpose with ECG cable basket



Item No.1311

Wall Mounted Monitor Stand (Simple)



Item No.1304 - 4F



Item No.1304 - 3F

Beside Screen



Item No.1305

Foot Step (Single)



Item No.1306

Foot Step (Double)

Item No.1408-HY

Casualty Trolley (Hydraulic)

Overall Size : L 210 cm x W 65 cm x H 65 cm to 95 cm

Specification :

- Safety side railing, I.V. Rod, storage tray & Cylinder cage.
Removable X-Ray translucent top with tray for holding X-Ray translucent top with tray of holding X-Ray Cassettes.
- Adjustable height by hydraulic pump through foot pedal.
Trendlenburg / Rev. Trendlenburg by gas spring. 125 mm dia casters.
Corner buffers.
- Pre-treated & Epoxy Powder Coated.



Item No.1407-ML

Casualty Trolley (Manual)

Overall Size : L 210 cm x W 65 cm x H 65 cm to 95 cm

Specification :

- Safety side railing, I.V. Rod, Cylinder cage.
Removable X-Ray translucent top.
- Adjustable height by Crank Screw through handle.
- Trendlenbury / Rev. Trendlenburg by Crank Screw through handle.
125 mm dia casters, Corner buffers.
- Pre treated & Epoxy Powder Coated.



Item No.1409

Folding Stretcher Trolley

(Available SS top / full SS)



Item No.1410-ON

Stretcher On Trolley

(Available SS top / full SS)

Item No.1410 - REL

Patient Trolley with Fixed Cushioned Section top

Overall Size : L 210 mm x W 56 mm x H 81 mm

Specification :

- Frame work made of tubular MS pipe.
- Swing away type safety side Railing.
- Adjustable I.V. Rod.
- Two section cushion top
- Backrest adjustable.
- Trolley mounted on 125 mm dia castors.
- Epoxy powder coated Finish/Full stainless steel



Item No. 1430 - PC Item No.1430 - SS
Instrument Cabinet



Item No.4040
Library Cabinet



Item No.1430 - DR
Instrument Cabinet with Drawer



Item No.1430 - HF
Instrument Cabinet Half Door Glass



Item No.1818

Fixed Cradle



Item No.1819

Stand with Crib



Item No.1820

Stand with Undersurface Phototherapy



Item No.1821

Stand with Doublesurface Phototherapy



Item No.4006-FT

Scrub with Foot Paddle

Overall Size : L 48 inch x W 18 inch x H 34 inch to 48 inch

Specification :

- Stainless steel moduler scrub foot paddle operated two tap.
- Instrument wash tray.

Item No.4005-HD

Scrub with Hand Tap

Overall Size : L 48 inch x W 16 inch x H 34 inch to 48 inch

Specification :

- Stainless steel moduler scrub hand operated two tap.
- Instrument wash tray.



Item No.4008-WL

Wall Mounted Scrub with instrument wash tray

Overall Size : L 36 inch x W 16 inch

Specification :

- Stainless steel wall mounted scrub
- Instrument wash tray.



Item No.301

Single Drum Autoclave



Item No.303

Double Drum Autoclave



Item No.304

Autoclave Double Drum,
Double Chamber (12x20)



Item No.200

Fumigation Machine



Item No.201
Fogger Machine

Fully Stainless Steel Trolley Standard
Features Stainless Steel/M.S.
Powder coated trolley having
antistatic castors with brakes on
front wheels. Two Tube Rotameter
having three side visibility & with
Luminous back plate which
highlights rotating bobbin even in
darkened Operation.



Item No.701
Major S



Item No.709
Major M



Item No.103

Item No.103 - J

Suction Machine (Diafarm) 40 W

Prime 1 x 1

Fully Stainless Steel Trolley Standard
Features Stainless Steel/M.S. Powder
coated trolley having antistatic
castors with brakes on front wheels.
Two Tube Rotameter having three
side visibility & with Luminous
back plate which highlights
rotating bobbin ...



Item No.1823 - CFL

Phototherapy CFL Metal Body Stand



Item No.1822

Crib



Item No.1823 - LED

Phototherapy LED Metal Body Stand



Item No.4025

Doctor's Chair (Executive)



Item No.4051 - FL

Wheel Chair (Folding) Delux



Item No.4051 - FX

Wheel Chair (Fix)



Item No.4004

Labrotary Table
(with center basin)



Item No.4441

Doctor's Table (Regular strip)



Item No.4442

Doctor's Table (Regular square)



Item No.4444 - CB

Wall Mounted Cabinet



Item No.4443

Doctor's Table (Glass Top)



Item No.4444-L

Doctor's Table (L Type)



Item No.4445

Reception Table



Item No.4446

Nursing Table





Item No.4021

Multi Locker (18 Locker)



Item No.4022

Multi Locker (12 Locker)



Item No.4023

Multi Locker (6 locker)



Item No.4024

Office Storage

Item No.2142 - GS

OB Labour Ht. Adj. Table (Telescopic-Gas Spring)

Overall Size : L 1825 mm x W 900 mm x H 710 mm to 880 mm

- Top frame made by rectangular tube. Height adjustment & head Hi-Lo by gas spring.
- Three section top with backrest on ratchet, "U" notch in middle section.
- Leg section telescopic under middle section.
- Head side bow S.S., both side detachable S.S. railing, pains bar both side. Litho-tomy Rod with belt
- Stainless Steel Top with epoxy powder coated table. (optional padded leg rest)



Item No.2142 - ML

OB Labour Ht. Adj. Table (Telescopic)

Overall Size : L 1825 mm x W 900 mm x H 710 mm to 880 mm

- Top frame made by rectangular tube. Height adjustment & head Hi-Lo by screw.
- Three section top with backrest on ratchet, "U" notch in middle section.
- Leg section telescopic under middle section.
- Head side bow S.S., both side detachable S.S. railing, pains bar both side. Litho-tomy Rod with belt
- Available in full S.S. & S.S. top with epoxy powder coated table. (optional padded leg rest)



Item No.2143-TL

OB Labour Table (Telescopic)

Overall Size : L 1825 mm x W 900 mm x H 800 mm

- Top frame made by rectangular tube. Head Hi-Lo by screw.
- Three section top with backrest on ratchet, "U" notch in middle section.
- Leg section telescopic under middle section.
- Head side bow S.S., both side detachable S.S. railing, pains bar both side. Litho-tomy Rod with belt
- Available in full S.S. & S.S. top with epoxy powder coated table. (optional padded leg rest)



Item No.2145

Examinations Table Gynec

Overall Size : L 1825 mm x W 560 mm x H 800 mm

- Fix height, examination table.(Optional Foot step)
(Available in powder coated table with cushion top /
- S.S. top/ Fully powder coated)

Item No.2141

Operation Table (Height Adjustable)

- Overall Size : L 1820 mm x W 560 mm x Ht.
- Adjustable from 725 mm to 875 mm.
- Stainless steel top.
Detachable foot end, with gaynac arch.
- Height adjustment and head low/up position by screw with folding handle.
Available in full stainless steel & Stainless steel top with epoxy powder coated base foot step optional.



Item No.2141 - OPH

Ophthalmic Operation Table

Overall Size : L 1825 mm x W 560 mm x H 800 mm

- Rectangular frame, Head Hi-Low and Manual height adjustment by screw mechanism.
- Head section height & length adjustable by knob with hand rest.
- Special cushion for heads section and cushion top.
- Available in full stainless steel and stainless steel top with powder coating.



Item No.2144

Labour Table (Reg.)

Overall Size : L 1825 mm x W 560 mm x H 800 mm

- Fix height, gynac examination table with hand grip, a pair of lithotomy rods with strips (Foot step optional)
- (Available in full S.S., powder coating with S.S. top. Fully powder coated)



Item No.2141 - EXM

Height Adjustable Examination Table

Overall Size : L 1825 mm x W 560 mm x H 800 mm

- Rectangular frame, Head Hi-Low and Manual height adjustment by screw mechanism.
- Backrest with ratchet, leg section adjustable on ratchet.
- Three section cushion top fitted by belt.
- Stainless steel top with powder coating.

Operating table electric cum manual cum top sliding cum dual remote



- Features :**
- Six section Radio Translucent top.
 - Rubberized PU Mattress.
 - Matt finished Polish in High Quality Stainless steel base Cover; Column cover and top frame.
 - Head and Leg Section detachable and interchangeable.
 - Drivability by four Leading castors with central Brake.
 - All Positions are Electrically Operated as well as Manually with Dual Remote system.
 - With 250 mm Sliding Top which is suitable for C-ARM and X-Ray Procedures.
 - Dual Remote system fitted at column cover of Operating Table.
 - Zero Lock Position and Memory Functions.
 - Corded Hand Remote.
 - Power supply 220v, 50-60 Hz with integrated Batteries (Backup 30 minutes).



Features :

• Table Top (Overall Size)	:	2006 L x 590 W mm
• Powerd Height Adjustment	:	785 mm - 1035 mm
• Powered Lateral Tilt Right / Left	:	20° Both Side
• Powered Trendlenburg / Reverse Trendlenburg	:	30° - 20°
• Powered Top Sliding	:	250 mm
• Powered Backrest	:	80° - 15°
• Powered Flex / Reflex	:	90° - 220°
• Head / Leg Position	:	30° - 90°
• Manually Adjustment By crank Kidney Position	:	150 mm

HCl-901-P4

Standard Accessories :
 'L' Frame, side support, shoulder support, Handrest, Lithotomy crutches, Try Handle, Clamps.

Operating table electric cum manual cum dual remote

Electric

Manual

Dual Remote

Features :

- Six section Radio Translucent top.
- Rubberized PU Mattress.
- Matt finished Polish in High Quality Stainless steel base Cover, Column cover and top frame.
- Head and Leg Section detachable and interchangeable.
- Drivability by four Leading castors with central Brake.
- All Positions are Electrically Operated as well as Manually with Dual Remote system.
- Dual Remote system fitted at column cover of Operating Table.
- Zero Lock Position and Memory Functions.
- Corded Hand Remote.
- Power supply 220v, 50-60 Hz with integrated Batteries (Backup 30 minutes).



Features :

- Table Top (Overall Size) : 2006 L x 590 W mm (Overall Size)
- Powerd Height Adjustment : 785 mm - 1035 mm
- Powered Lateral Tilt Right / Left : 20° Both Side
- Powered Trendlenburg / Reverse Trendlenburg : 30° - 20°
- Powered Backrest : 80° - 15°
- Powered Flex / Reflex : 90° - 220°
- Head / Leg Position : 30° - 90°
- Manually Adjustment By crank Kidney Position : 150 mm

HCI-901-P3

Standard Accessories :

'L' Frame, side support, shoulder support, Handrest, Lithotomy crutches, Try Handle, Clamps.

Operating table electric cum manual

Electric
Manual



HCI-901-P2

Features :

- Six section Radio Translucent top.
- Rubberized PU Mattress.
- Matt finished Polish in High Quality Stainless steel base Cover, Column cover and top frame.
- Head and Leg Section detachable and interchangeable.
- Drivability by four Leading castors with central Brake.
- All Positions are Electrically Operated as well as Manually Operated.
- Corded Hand Remote
- Power supply 220v, 50-60 Hz with integrated Batteries (Backup 30 minutes).



Technical Data :

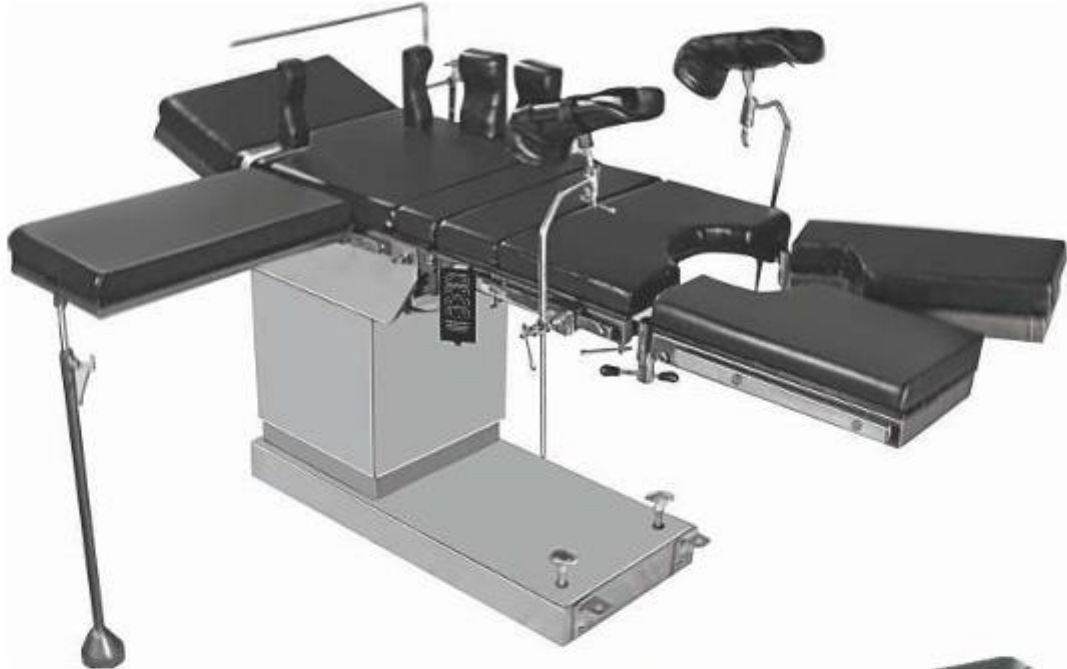
• Table Top (Overall Size)	:	2006 L x 590 W mm (Overall Size)
• Powerd Height Adjustment	:	785 mm - 1035 mm
• Powered Lateral Tilt Right / Left	:	20° Both Side
• Powered Trendlenburg / Reverse Trendlenburg	:	30° - 20°
• Powered Backrest	:	80° - 15°
• Powered Flex / Reflex	:	90° - 220°
• Head / Leg Position	:	30° - 90°
• Manually Adjustment By crank Kidney Position	:	150 mm

Standard Accessories :

'L' Frame, side support, shoulder support, Handrest, Lithotomy crutches, Try Handle, Clamps.



Operating table electric



HCI-901-N

Features :

- Six section Radio Translucent top.
- Rubberized PU Mattress.
- Matt finished Polish in High Quality Stainless steel base Cover, Column cover and top frame.
- Head and Leg Section detachable and interchangeable.
- Drivability by four Leading castors with central Brake.
- All Positions are Electrically Operated.
- Corded Hand Remote
- Power supply 220v, 50-60 Hz with integrated Batteries (Backup 30 minutes).
- Also available in 304 Grade and 202 Grade Stainless steel



Technical Data :

• Table Top (Overall Size)	:	2006 L x 590 W mm (Overall Size)
• Powerd Height Adjustment	:	785 mm - 1035 mm
• Powered Lateral Tilt Right / Left	:	20° Both Side
• Powered Trendlenburg / Reverse Trendlenburg	:	30° - 20°
• Powered Backrest	:	80° - 15°
• Powered Flex / Reflex	:	90° - 220°
• Head / Leg Position	:	30° - 90°
• Manually Adjustment By crank Kidney Position	:	150 mm

Standard Accessories :

'L' Frame, side support, shoulder support, Handrest, Lithotomy crutches, Try Handle, Clamps.



HCI-901-P

Operating table Sem-Electric (C-Arm Compatible)



Features :

- Six section Radio Translucent top.
- Rubberized 50 mm thickness Mattress.
- High Quality Stainless steel Top Frame, Column Cover & Base Cover.
- Head and Leg Section detachable and interchangeable.
- Drivability by four Leading castors with central Brake.
- Only UP-DOWN Position operated by electrically and others all positions operated Manually.
- Corded Hand Remote (only for Up-Down Position)
- Power supply 220v, 50-60 Hz with integrated Batteries (Backup 30 minutes).
- Also Available in 304 Grade and 202 Grade.



HCI-903-N



Technical Data :

- Table Top (Overall Size) : 2006 L x 590 W mm (Overall Size)
- Powerd Height Adjustment : 785 mm - 1035 mm
- Manually Lateral Tilt Right / Left : 20° Both Side
- Manually Trendlenburg / Reverse Trendlenburg : 30° - 20°
- Manually Backrest : 80° - 15°
- Manually Flex / Reflex : 90° - 220°
- Head / Leg Position : 30° - 90°
- Manually Adjustment By crank Kidney Position : 150 mm

Standard Accessories :

'L' Frame, side support, shoulder support, Handrest, Lithotomy crutches, Try Handle, Clamps.

HCI-903-P

**Operating table Hydraulic
(C-Arm Compatible)**



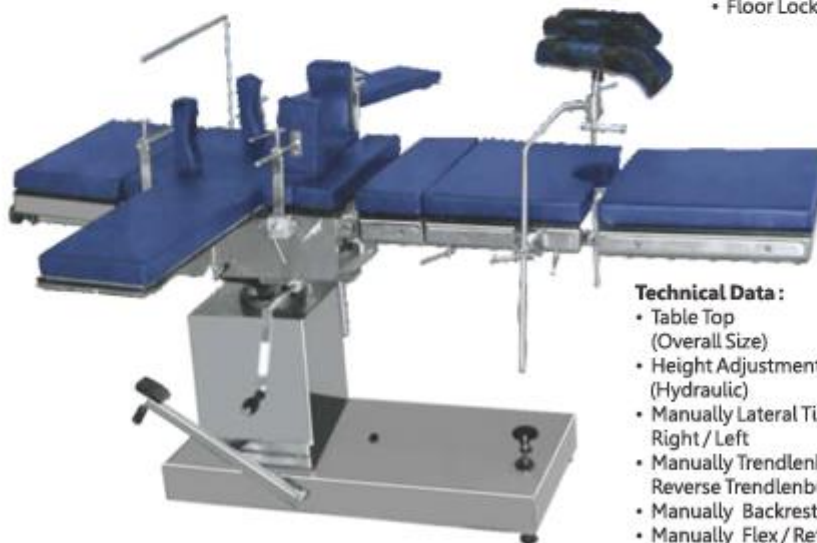
HCI-902-P

Premium Features (304 grade)

- Six Section Radio Translucent top suitable for C-ARM and X-Ray Procedures.
- Rubberized PU Mattress.
- Matt finished Polish in High Quality Stainless steel base Cover, Column cover and top frame.
- Velo Covering at column of operating table.
- Head and Leg Section detachable and interchangeable.
- Drivability by four Leading castors with central Brake.
- Cancelled Hydraulic Pump.

Features (202 grade)

- Six Section Radio Translucent top suitable for C-ARM and X-Ray Procedures.
- Rubberized 50mm thickness Mattress.
- High Quality Stainless steel base Cover, Column cover and top frame.
- Head and Leg Section detachable and interchangeable.
- Floor Lock provided on base of the table.



HCI-902-N



Technical Data :

- Table Top (Overall Size) : 1985 L x 570 W mm
- Height Adjustment (Hydraulic) : 762 mm - 1002 mm
- Manually Lateral Tilt Right / Left : 20° Both Side
- Manually Trendlenburg / Reverse Trendlenburg : 30° - 20°
- Manually Backrest : 80° - 15°
- Manually Flex / Reflex : 90° - 220°
- Head / Leg Position : 30° - 90°
- Manually Adjustment By crank Kidney Position : 150 mm

Standard Accessories :

'L' Frame, side support, shoulder support, Handrest, Lithotomy crutches, Try Handle, Clamps.

Operating table Semi-Electric (Super Deluxe Model)



Premium Features (304 grade)

- Five Section Stainless Steel Top with Removable side PU mattress.
- High Quality Stainless steel base Cover, Column cover with 304 grade.
- Matt Finish operating table.
- Floor Lock provided on base of the table.
- Height Adjustment by Electrically operated and others positions by manually operated.
- Also available in X-Ray Translucent Top

Features (202 grade)

- Five Section Stainless Steel cover top with mattress.
- High Quality Stainless steel base Cover, Column cover with 202 grade.
- Paper coated steel covering operating table.
- Floor Lock provided on base of the table.
- Height Adjustment by Electrically operated and others positions by manually operated.

HCI-906-P



Technical Data :

- Table Top (Overall Size) : 1905 L x 540 W mm
- Height Adjustment : 762 mm - 987 mm
By Electric operated.
- Manually Lateral Tilt Right / Left : 20° Both Side
- Manually Trendlenburg / Reverse Trendlenburg : 30° - 20°
- Manually Backrest : 80° - 15°
- Manually Flex / Reflex : 90° - 220°
- Head / Leg Position : 30° - 90°
- Manually Adjustment By crank Kidney Position : 150 mm

Standard Accessories :

'L' Frame, side support, shoulder support, Handrest, Lithotomy crutches, Try Handle, Clamps.

HCI-906-N

Operating table Hydraulic (Super Deluxe Model)



HCI-905-P

Premium Features (304 grade)

- Five Section Stainless Steel Top with Removable side PU mattress. (Also Available in X-Ray Translucent Top)
- High Quality Stainless steel base Cover, Column cover with 304 grade.
- Matt Finish operating table.
- Cancelled Hydraulic Pump.
- Floor Lock provided on base of the table.

Features (202 grade)

- Five Section Stainless Steel cover top with mattress.
- High Quality Stainless steel base Cover, Column cover with 202 grade.
- Paper coated steel covering operating table.
- Floor Lock provided on base of the table.



HCI-905-N

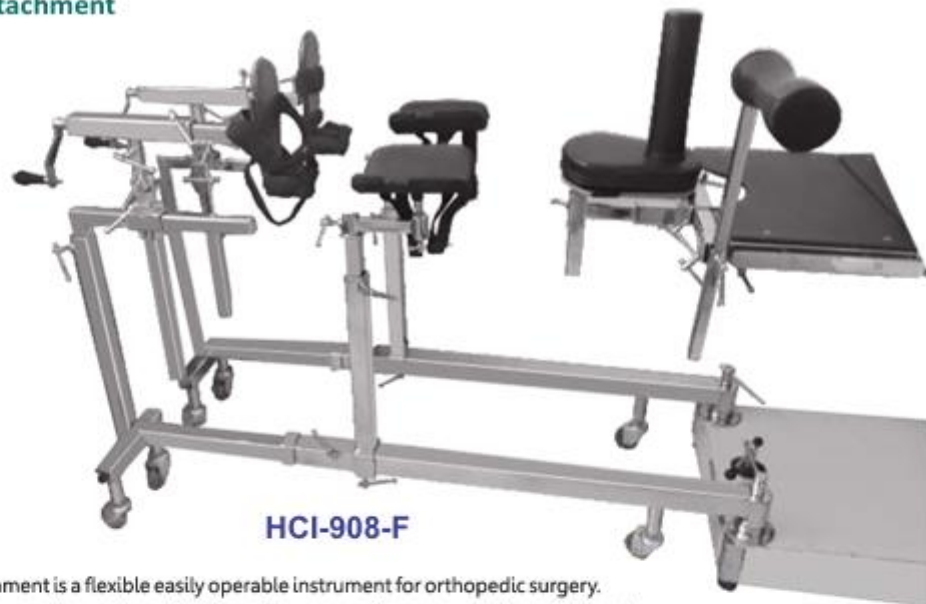
Technical Data :

- Table Top (Overall Size) : 1905 L x 540 W mm
- Height Adjustment Hydraulic : 762 mm - 987 mm
- Manually Lateral Tilt Right / Left : 20° Both Side
- Manually Trendlenburg / Reverse Trendlenburg : 30° - 20°
- Manually Backrest : 80° - 15°
- Manually Flex / Reflex : 90° - 220°
- Head / Leg Position : 30° - 90°
- Manually Adjustment By crank Kidney Position : 150 mm

Standard Accessories :

'L' Frame, side support, shoulder support, Handrest, Lithotomy crutches, Try Handle, Clamps.

Orthopedic Attachment (Floor Type)



Specification

Orthopedic Attachment is a flexible easily operable instrument for orthopedic surgery. The Ortho Attachment allows the positioning of the extremity as required in regard to the surgery practice and therefore is especially adapted to ensure safe and efficient.

Standard Accessories

• Orthopedic Section, Pelvic Sheet, Pelvic support (Radio Translucent), Inner thigh support (Radio Translucent), Foot Plate with Ortho shoes, Tibia Attachment, Knee Crutches

Spine Attachment (Optional)

1. Spine Frame Attachment
2. Hand Traction Device.

Orthopedic Table with Remote (Centric Pillar)

Features

- Five Section Radio Translucent top
- Rubberized PU Mattress.
- Matt finished Polish in High Quality Stainless steel base Cover, Column cover and top frame.
- Drivability by four Leading castors with central Brake.
- All Positions are Electrically Operated .
- Corded Hand Remote.
- Power supply 220 v, 50-60 Hz with integrated Batteries (Backup 30 minutes).
- Also Available in 304 Grade and 202 Grade Stainless steel.



HCI-909-P

Fibre Dome

Metal Reflector

Stainless Steel Fixture

Technical Data :

- LUX Intensity : 70,000 LUX
- Need of Power : 220 v AC/DC
- Room Height : 10 feet
- Dome Dia : 559 mm
- Halogen Bulb : 24 v - 150 W
- Height Adjustment : 915 mm
- Temp. Increase : 3° to 4° C
- Control Section : On Transformer
- Color Temp. : 4200 K
- Reflector DIA : 394 mm



HCI-20

Shadowless Halogen Operating Light (Twin)



HCI-20 + 20

Technical Data :

- LUX Intensity : 70,000 LUX x 2
- Need of Power : 220 v AC/DC
- Room Height : 10 feet
- Dome Dia : 559 mm x 2
- Halogen Bulb : 24 v - 150 W
- Height Adjustment : 915 mm
- Temp. Increase : 3° to 4° C
- Control Section : On Transformer
- Color Temp. : 4200 K
- Reflector DIA : 394 mm

Mobile Shadowless Halogen Operating Light

Fibre Dome

Metal Reflector

Stainless Steel Fixture

Technical Data :

- LUX Intensity : 70,000 LUX
- Need of Power : 220 v AC/DC
- Dome Dia : 559 mm
- Halogen Bulb : 24 v - 150 W
- Height Adjustment : 915 mm
- Temp. Increase : 3° to 4° C
- Control Section : On Transformer
- Color Temp : 4200 K
- Reflector DIA : 394 mm



HCI-20 (Mobile)



HCI-4 (LED Mobile)

Led Operating Light Mobile

Technical Data :

- LUX Intensity : 1,25,000 LUX
- Spot Diameter : 100 - 150 mm
- Depth Illumination : 10- 15 cm
- Color Temp : 3800 - 5200 K
- Color Rendering Index : 91 Ra
- Focusing : Manual
- LED Average Life : > 50000 hrs.
- Number of LED : 76
- Diameter of Light : 670 mm
- Intensity Control : 10~100 Digital
- Power supply : 220 v / 50 Hz AC
- Power : 80 Watt

LED Operating Light Ceiling

Technical Data :

- LUX Intensity : 1,25,000 LUX
- Spot Diameter : 100 - 150 mm
- Depth Illumination : 10- 15 cm
- Color Temp : 3800 - 5200 K
- Color Rendering Index : 91 Ra
- Focusing : Manual
- LED Average Life : > 50000 hrs.
- Number of LED : 76
- Diameter of Light : 670 mm
- Intensity Control : 10~100 Digital
- Power supply : 220 v / 50 Hz AC
- Power : 80 Watt
- Special Function : 5 Memory Function



HCI-4 (LED)

LED Operating Light Twin

Technical Data :

- LUX Intensity : 1,25,000 LUX x 2
- Spot Diameter : 100 - 150 mm
- Depth Illumination : 10- 15 cm
- Color Temp : 3800 - 5200 K
- Color Rendering Index : 91 Ra
- Focusing : Manual
- LED Average Life : > 50000 hrs.
- Number of LED : 76 x 2
- Diameter of Light : 670 mm x 2
- Intensity Control : 10~100 Digital
- Power supply : 220 v / 50 Hz AC
- Power : 80 Watt x 2
- Special Function : 5 Memory Function



HCI-4 + 4 (LED)



HCI-12 (Ceiling)

LED Examination Operating Light Minor O.T.

Technical Data :

- LUX Intensity : 90,000 LUX
- Spot Diameter : 100 - 150 mm
- Depth Illumination : 10- 15 cm
- Color Temp : 3800 - 5200 K
- Color Rendering Index : 91 Ra
- Focusing : Fix
- LED Average Life : >50000 hrs.
- Number of LED : 35
- Diameter of Light : 310 mm
- Intensity Control : 10~100 Digital
- Power supply : 220 v / 50 Hz AC
- Power : 60 Watt

LED Examination Operating Light Minor O.T.

Technical Data :

- LUX Intensity : 90,000 LUX
- Spot Diameter : 100 - 150 mm
- Depth Illumination : 10- 15 cm
- Color Temp : 3800 - 5200 K
- Color Rendering Index : 91 Ra
- Focusing : Fix
- LED Average Life : >50000 hrs.
- Number of LED : 35
- Diameter of Light : 310 mm
- Intensity Control : 10~100 Digital
- Power supply : 220 v / 50 Hz AC
- Power : 60 Watt



HCI-12 (Mobile)

Examination LED Light Single Cluster

Technical Data :

- LUX Intensity : 40,000 LUX
- Size of Light Field : 12-30 cm
- Color Temperature : 4800 K
- Color Reduction Index : 91 Ra
- LED Average Life : >50000 hrs.
- Number of LED : 12
- Diameter of Light : 160mm
- Power Supply : 220 V / 50 Hz AC
- Focusing : Fix



HCI-12 (Wall Mounted)



LED Examination Operating Light Minor O.T.

Technical Data :

- LUX Intensity : 90,000 LUX
- Spot Diameter : 100 - 150 mm
- Depth Illumination : 10- 15 cm
- Color Temp : 3800 - 5200 K
- Color Rendering Index : 91 Ra
- Focusing : Fix
- LED Average Life : >50000 hrs.
- Number of LED : 35
- Diameter of Light : 310 mm
- Intensity Control : 10~100 Digital
- Power supply : 220 v / 50 Hz AC
- Power : 60 Watt



Medical Store

